



# **Amstrad CPC 6128**

## *Television Connection Kit*

Connection instructions

# Included in the Kit

---

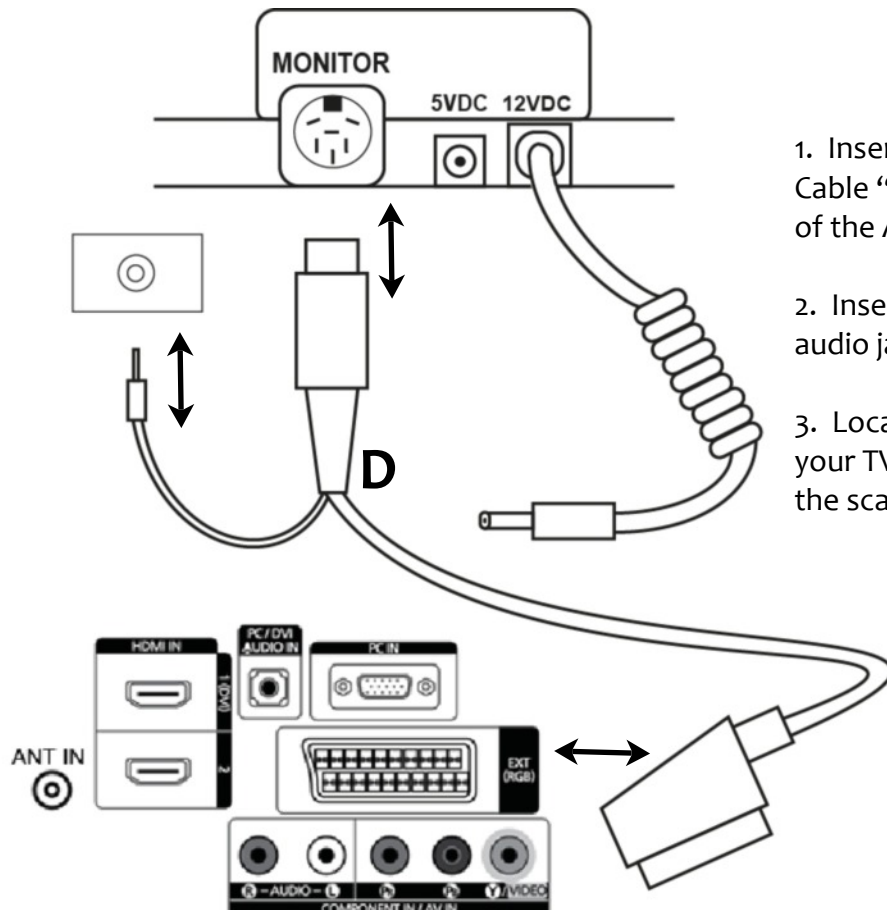


- A:** 12v Disk Drive Power Adapter
- B:** 12v Disk Drive Adapter Cable
- C:** 5v Main Power Supply
- D:** Amstrad CPC RGB Scart Cable

Please identify the parts before you move onto the next stage.

# Connecting the Video Cable

---

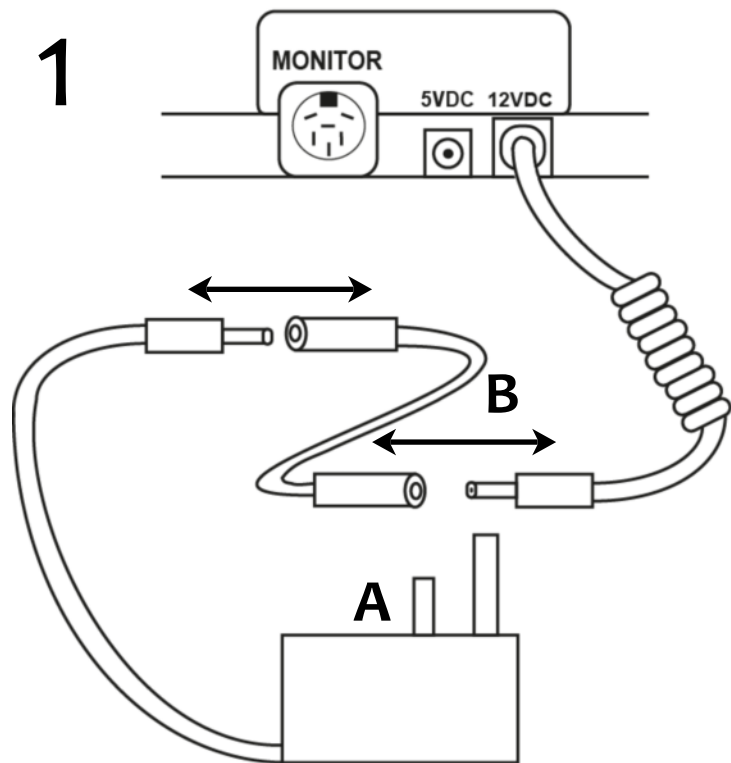


1. Insert the round video plug on the RGB Scart Cable “D” into the monitor port on the back of the Amstrad
2. Insert the audio jack plug into the headphone/ audio jack socket on the left side of the Amstrad
3. Locate a suitable RGB-enabled scart socket on your TV/monitor - marked either EXT or AV. Insert the scart plug fully into the socket.

# Connecting the Power

---

1

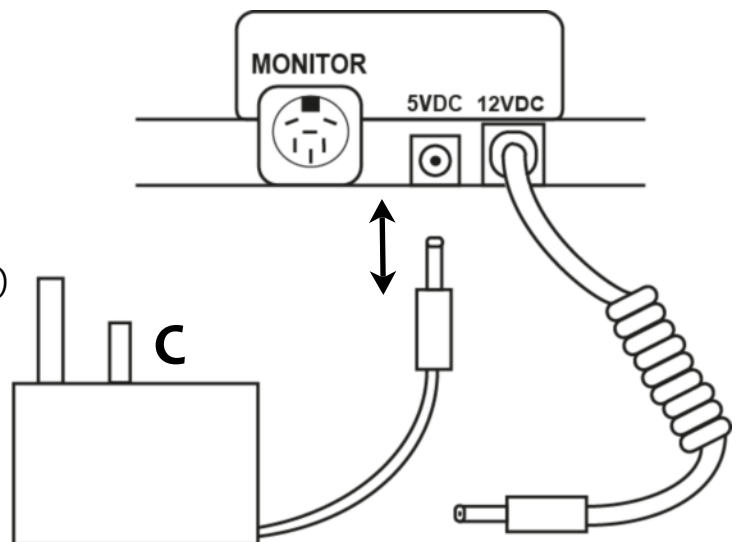


1. Insert the small plug from Power Supply "A" (12V) into one end of adapter "B".

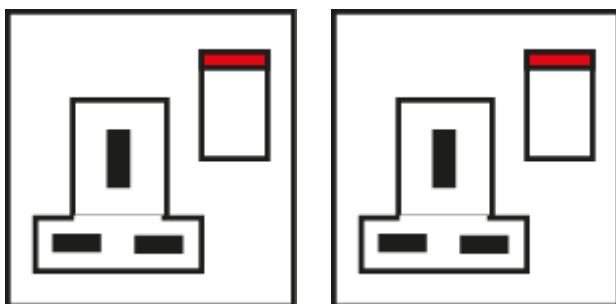
2. Insert the small plug from the disk drive power lead (curly wire) into the other end of adapter "B".

2

1. Insert the small plug from Power Supply "C" (5V) into the 5VDC socket on the back of the Amstrad



3



1. Locate 2 convenient mains sockets and insert the 2 power supplies into them.

2. Double check all your connections and then switch on and enjoy!

